

**CHINA FROTEC**  
WATER TREATMENT MANUFACTURER

**FROTEC WATER PIONEER**

**CHINA FROTEC ENVIRONMENTAL CO.,LTD**

Texting 1 workshop, longhua street view of dragon road 249,  
Longhua new district of Shenzhen, China

Tel : 86 755 28170100

Fax: 86 755 28170100

Email : sales@frotecfilter.com

Website : www.frotecfilter.com



**CHINA FROTEC ENVIRONMENTAL CO.,LTD**

# CHINA FROTEC Environmental



## Brief Introduction

China Frotec Environmental Co., Ltd. is a professional manufacturer of filtration products in China. With advanced production equipment, quality control instruments and technology, Frotec designs and manufactures filtration products in liquid and gas & air, such as membrane pressure vessel, FRP tank, UF membrane, filter cartridge, filter housing and etc.

Our products are applied to bio-pharmaceutical, medical, food & beverage, microelectronic, chemistry, electronics, water treatment and laboratory application.

With many years' experience in filtration, Our products are best introduced by our partners in many countries and areas, like the USA, Canada, the UK, Africa, Europe, Southeast Asia, etc.

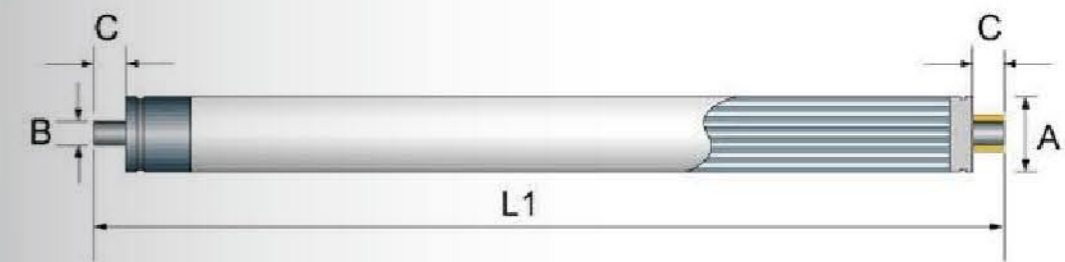
We aim at working together with our partners to protect our environment. We will continue to carry forward the quality-first, pioneering and innovative spirit to manufacture and supply products with superior quality.

## FROTEC

## FROTEC ULTRA FILTRATION MEMBRANE

Ultra-filtration is an advanced technology to separate, purify and concentrate substance . It presents hollow capillary tube shape or hollow fiber shape, micro-pore covers tube wall densely. Feed liquid is flowing in or out the membrane under the influence of pressure, dissolvent or small molecule can permeate membrane and become pure liquid by collection, while large molecule (such as protein, each kind of enzyme, nucleic acid, polysaccharide and so on) ,colloid particle (such as emulsion, micro-ion) and bacterium are cut off by the membrane and are taken off by the circulating liquid flow to become concentrating liquid.

### FROTEC ULTRA FILTRATION MEMBRANE 4040

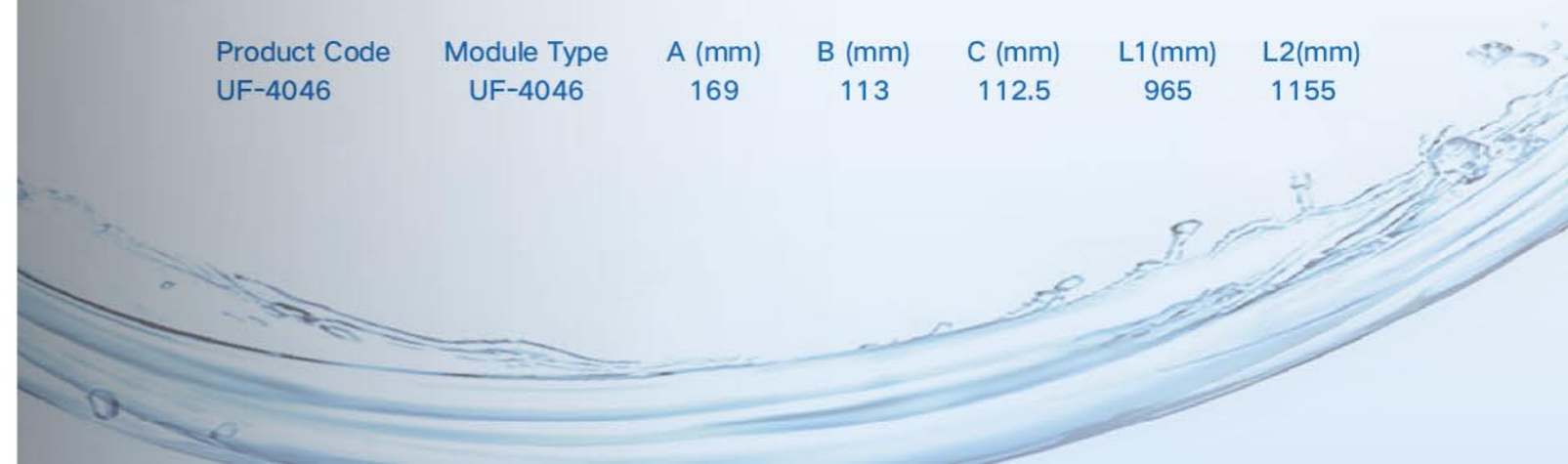


Product Code	Module Type	A (mm)	B (mm)	C (mm)	L1 (mm)
UF-4040	UF-4040	101	19	27	1016

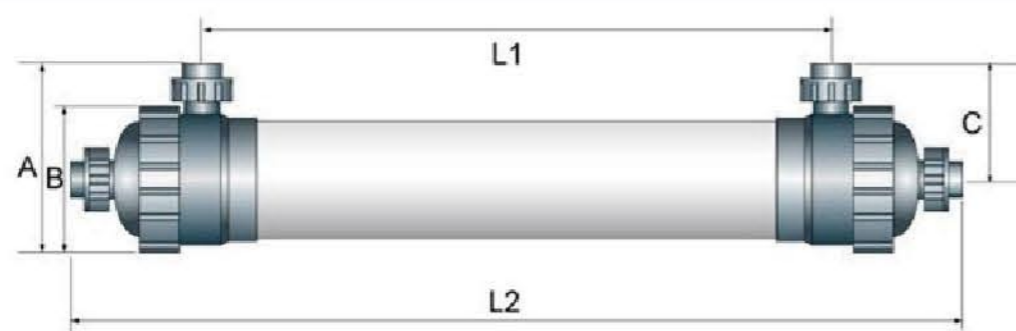
### FROTEC ULTRA FILTRATION MEMBRANE 4046



Product Code	Module Type	A (mm)	B (mm)	C (mm)	L1 (mm)	L2 (mm)
UF-4046	UF-4046	169	113	112.5	965	1155

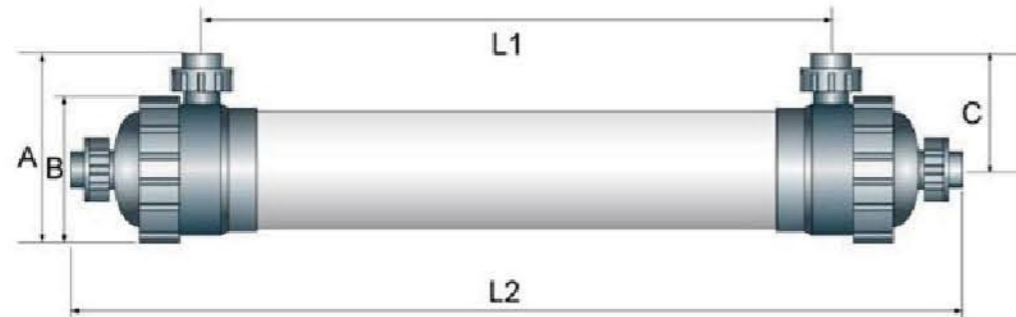


**FROTEC ULTRA FILTRATION MEMBRANE 6060**



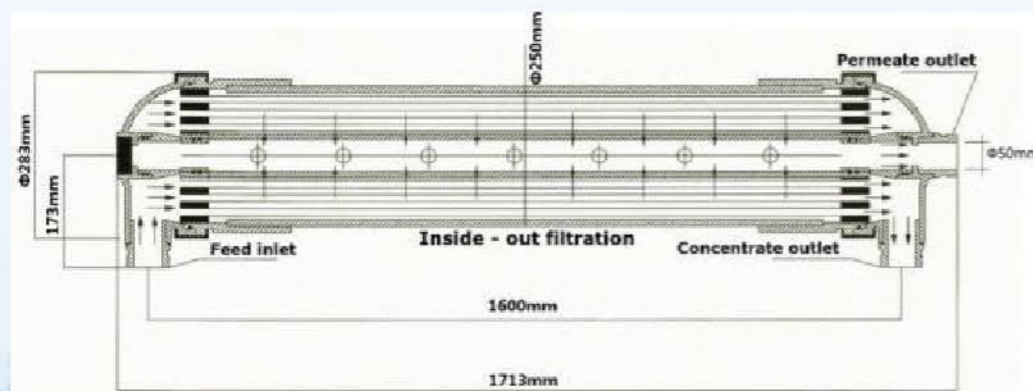
Product Code	Module Type	A (mm)	B (mm)	C (mm)	L1(mm)	L2(mm)
UF-6060	UF-6060	195	160	160	1132	1352

**FROTEC ULTRA FILTRATION MEMBRANE 8060**



Product Code	Module Type	A (mm)	B (mm)	C (mm)	L1(mm)	L2(mm)
UF-8060	UF-8060	320	237	183.5	1020	1415

**FROTEC ULTRA FILTRATION MEMBRANE 1060**



Product Code	Module Type	A (mm)	B (mm)	C (mm)	L1(mm)	L2(mm)
UF-1060	UF-1060	323	303	173	1600	1713

**Ultrafiltration membrane module parameters**

Module	UF-4040	UF-4046	UF-6060	UF-8060	UF-1060
Module type	Inside-out	Inside-out	Inside-out	Inside-out	Inside-out
Shell and seal materials	PVC,epoxy resins	PVC,epoxy resins	PVC,epoxy resins	PVC,epoxy resins	PVC,epoxy resins
Membrane Material	PAN/PVC	PAN/PVC	PAN/PVC	PAN/PVC	PAN/PVC
Molecular Weight Cut off(Dalton)	50.000	50.000	100.000	100.000	100.000
Size (mm)	Ø90×1016	Ø90×1155	Ø160×1352	Ø200×1415	Ø250×1713
Effective membrane area	4m <sup>2</sup>	4.8m <sup>2</sup>	15m <sup>2</sup>	25m <sup>2</sup>	52m <sup>2</sup>
Hollow fiber id/od size	1.0mm/1.6mm	1.0mm/1.6mm	1.0mm/1.6mm	1.0mm/1.6mm	1.0mm/1.6mm
Max operating pressure	0.3Mpa	0.3Mpa	0.3Mpa	0.3Mpa	0.3Mpa
Suggest operating pressure	<0.2Mpa	<0.2Mpa	<0.2Mpa	<0.2Mpa	<0.2Mpa
Max transmembrane pressure	<0.2Mpa	<0.2Mpa	<0.2Mpa	<0.2Mpa	<0.2Mpa
Backwash pressure	0.05-0.1Mpa	0.05-0.1Mpa	0.05-0.1Mpa	0.05-0.1Mpa	0.05-0.1Mpa
Produced water pollution index(SDI 25)	<3	<3	<1	<3	<3
Initial flux	0.8m <sup>3</sup> /h	1.0m <sup>3</sup> /h	4.5m <sup>3</sup> /h	5m <sup>3</sup> /h	9m <sup>3</sup> /h
Design flux	40-150L/m <sup>2</sup> /h	40-150L/m <sup>2</sup> /h	40-150L/m <sup>2</sup> /h	40-150L/m <sup>2</sup> /h	40-150L/m <sup>2</sup> /h
Operating mode	Cross flow or dead-end flow	Cross flow or dead-end flow	Cross flow or dead-end flow	Cross flow or dead-end flow	Cross flow or dead-end flow
Bacteria removal rate	>4log	>4log	>6log	>6log	>6log
Permeate turbidity	<0.1NTU	<0.1NTU	<0.1NTU	<0.1NTU	<0.1NTU
Operating temperature	5~40℃	5~40℃	5~40℃	5~40℃	5~40℃
PH range	2~10	2~10	2~10	2~10	2~10

**Residential membrane elements**

The residential membrane elements are mainly apply to various water purify systems,like household purifiers and other devices.

Model	Active membrane area ft2(m2)	Average permeated flow GPD(M3/D)	Stable rejection rate(%)	Minimum rejection-rate(%)
RO1812-50	4.0(0.37)	50(0.19)	97.0	96.0
RO1812-75	5.0(0.46)	75(0.28)	97.0	96.0
RO2012-100	6.0(0.56)	100(0.38)	97.0	96.0
RO2812-200	11.0(1.04)	200(0.76)	97.0	96.0
RO3012-300	13.2(1.23)	300(1.13)	97.0	96.0
RO3012-400	13.2(1.23)	400(1.52)	97.0	96.0

**Test Condition**

Temperature of Testing Solution	25 °C
Concentration of Testing Solution (Tap Water)	250ppm(1812-50,1812-75,2012-100) 500ppm(2812-200,3012-300,3012-400)
Testing Pressure	60psi(1812-50,1812-75,2012-100) 100psi(2812-200,3012-300,3012-400)
PH Value of Testing Solution	6.5-7
Recovery Rate of Single Membrane Element	15%



**Operation Conditions**

Max. Working Pressure	300psi
Max. Feedwater Temperature	45°C
Max. Feedwater SDI	5.0
PH Range of Feedwater during Continuous Operation	3~10
PH Range of Feedwater during Chemical Cleaning	2~12
Max. Pressure Drop of Single Membrane Element	10psi (0.07Mpa)

**Ultra low pressure membrane element**

ULP series can work under ultra low pressure to reach as high permeate flow and salt rejection as regular low pressure membrane.It operates under approximately two thirds of the operating pressure of regular low pressure composite membrane and achieves a good salt rejection.

Model	Membrane area ft2(m2)	Operating pressure psi(MPA)	Average permeated flow GPD(M3/D)	Stable rejection rate(%)
ULP4021	36(3.3)	150(1.05)	1000 (3.8 )	99.0
ULP4040	78(7.2)	150(1.05)	2500 (9.8 )	99.0
ULP8040	400(37)	150(1.05)	10500(39.5)	99.0

**Test Condition**

Temperature of Testing Solution:25 °C  
 Concentration of Testing Solution (NaCl):2,000ppm  
 PH Value of Testing Solution :7.5-8  
 Recovery Rate of Single Membrane Element:15%

**Operation Conditions**

Max. Working Pressure:600 psi (4.14MPa)  
 Max. Feedwater Temperature:45°C  
 Max. Feedwater SDI:5.0  
 Free Chlorine Concentration of Feedwater:0.1mg/L  
 pH Range of Feedwater during Continuous Operation:3~10  
 pH Range of Feedwater during Chemical Cleaning:2~12  
 Max. Pressure Drop of Single Membrane Element:10psi (0.07Mpa)

**BW pressure membrane element**

BW series has the properties of high permeate flow and excellent desalination.BW series is mainly applicable to treatment of various industrial water.

Model	Membrane area ft2(m2)	Operating pressure psi(MPA)	Average permeated flow GPD(M3/D)	Stable rejection rate(%)
BW4021	36(3.3)	225(1.55)	900 (3.4)	99.5
BW4040	78(7.2)	225(1.55)	2500 (9.8 )	99.5
BW8040	400(37)	225(1.55)	10500(39.7)	99.5

**Test Condition**

Temperature of Testing Solution:25 °C  
 Concentration of Testing Solution (NaCl):2,000ppm  
 PH Value of Testing Solution :7.5-8  
 Recovery Rate of Single Membrane Element:15%

**Operation Conditions**

Max. Working Pressure:600 psi (4.14MPa)  
 Max. Feedwater Temperature:45°C  
 Max. Feedwater SDI:5.0  
 Free Chlorine Concentration of Feedwater:0.1mg/L  
 pH Range of Feedwater during Continuous Operation:3~10  
 pH Range of Feedwater during Chemical Cleaning:2~12  
 Max. Pressure Drop of Single Membrane Element:10psi (0.07Mpa)

**Features and Benefits**

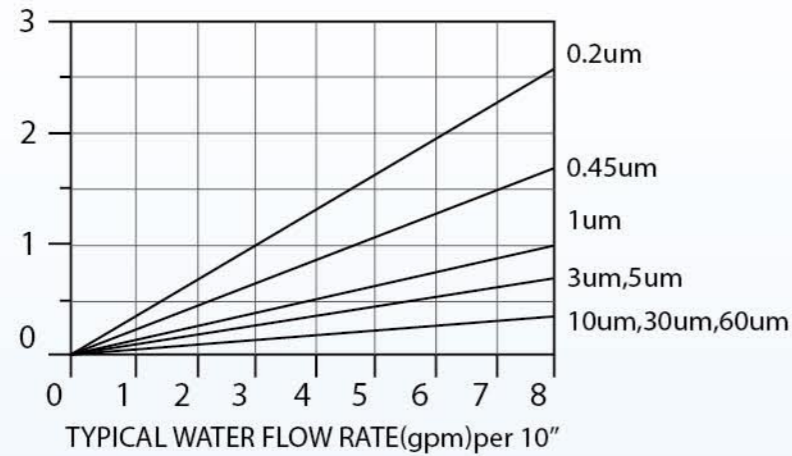
- A. High surface area
- B. Wide selection of micron rating to meet different filtration requirement
- C. Increased dirt holding capacity. Longer service life
- D. Constructed of all polypropylene high purity media, meets FDA requirements.
- E. Multiple layered micro-porous construction ensures consistent filtration performance.
- F. No adhesive, thermal bonded manufacturing enable the smallest contaminant extraction and high durability.
- G. Wide selection of micron rating to meet different filtration requirement.

**Polypropylene Pleated Filter Cartridge**



**Typical Application**

- A. Pre-filtration or RO system, DI water
- B. Solvents, selected acids & bases, chemical industry
- C. Semiconductor, Electronic industry ultrapure water system
- D. FOOD and beverage, drinking water treatment
- E. Oil industry



**Ordering Guide**

Model PPF	Micron Rating	End Adaptor Configuration	Seal	Length
PPF-N(Nominal)	010: 0.1µm	Code0-DOE( no end caps)	E-EPDM	5"
	022: 0.22µm	Code 3 -SOE flat closed end/ 222 Orings	N-Buna	10"
	045: 0.45µm	Code 6-SOE flat closed end/226 Orings	S-Silicone	20"
	.....	Code 7 -SOE fin/ 222 orings	V-Viton	30"
	.....	Code 8-SOE fin /226 orings		40"
PPF-A(Absolute)	10: 1µm			
	30: 3µm			

**Specifications**

Material Of Construction	Filter media	Polypropylene
	Support Layers	Polypropylene
	Micron rating	0.1,0.2,0.45,0.65,1.0,2.0,3.0,5.0,10,30,50,70,100 µm
	Inner core	Polypropylene
	Outer cage,End Cap	Polypropylene
	Seal Method	Thermal Bonded,No Adhesives
	O-ring/Gaskets	EPDM,Slicone,Buna,Viton
Cartridge Dimensions	Outer Diameter	69mm(2.75")
	Inner Diameter	28mm(1.10")
	Length(Based on DOE End Cap)	10"-254mm,20"-508mm,30"-762mm,40"-1016mm
	Filtration Area(m2)	0.65m2 per 10"
Operating Conditions	Normal Operating Temperature	Up to 65 °C (140 °F)
	Max.Operating Temperature	90 °C (194 °F) at P≤1.0 bar (14.5psi)
	Forward Flow Direction	4.2 bar (60 psi) at 25 °C (77 °F)
	Reverse Flow Direction	2.1 bar (30psi) at 25 °C (77 °F).
	PH Value Compatibility	1-14
	Sterilization Temperature Time	Steam Sterilization for 30 minutes at 121±2 °C, 100 cycles, Autoclave 30minutes (optional)
Cartridge Safety	Endotoxin	<0.25 EU/ml
	Extractables	0.03g / 10"

**Description**

SS Filter Housing consists of SUS316L or SUS304, and take filter cartridge as its element. The SS filter housing can be used for filtration of liquid, gas and 0.1um above particles and bacteria, with high removal rating and flow rate. It possess properties of lower absorption, no medium shedding, no leakage, acid and alkali Resistance, and corrosion resistance. In addition, it is easy to wash and function as back flush, and is ideal filtration equipment for the industry of biology & pharmacy, beer & beverage, chemical, and water treatment etc.

**Specification**

Material: SUS304L, SUS316L

Cartridge Capacity: 1element, 3element.. 160element

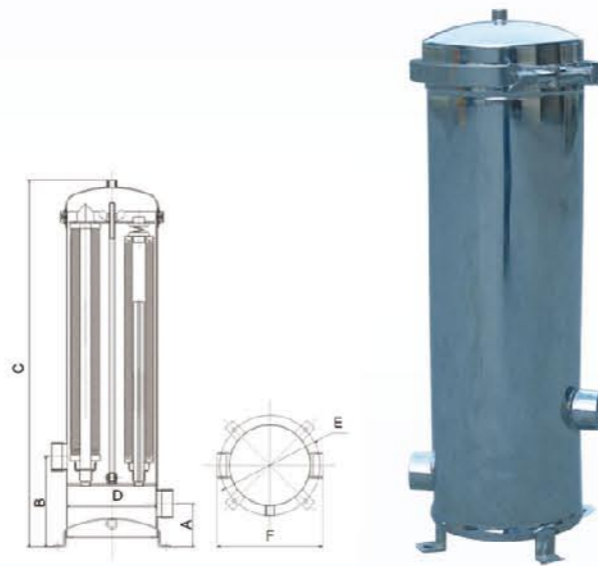
Connection Available: Flange, female thread

Cartridge Configuration Accepted: 222/Fin, DOE

**FBC-1** (Cap Type: V-clamp hinged)

Max working pressure:100PSI

Making method: Polished or sandblast

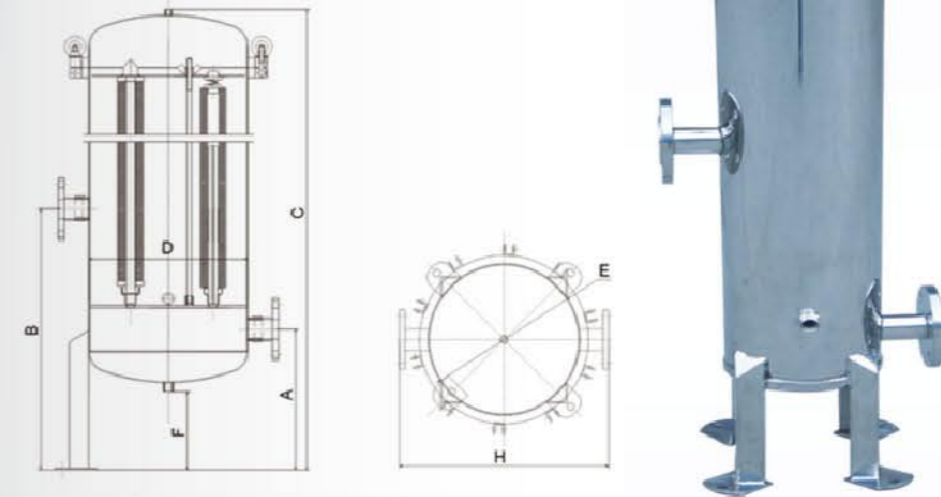


Model	Amm	Bmm	Cmm	Dmm	Emm	Fmm	Drain	Inlet/outlet
3element-10"	75	180	550	170	216	230	1/4"-1/2"	1"-1 1/2"
3element-20"	75	180	800	170	216	230	1/4"-1/2"	1"-1 1/2"
3element-30"	75	180	1050	170	216	230	1/4"-1/2"	1"-2"
3element-40"	75	180	1300	170	216	230	1/4"-1/2"	1"-2"
5element-10"	75	180	560	200	248	260	1/4"-1/2"	1"-1 1/2"
5element-20"	75	180	810	200	248	260	1/4"-1/2"	1"-1 1/2"
5element-30"	75	180	1060	200	248	260	1/4"-1/2"	1"-2"
5element-40"	120	220	1360	200	248	260	1/4"-1/2"	1"-2"
7element-10"	120	220	620	250	310	315	1/2"	1 1/2"-2"
7element-20"	120	220	870	250	310	315	1/2"	1 1/2"-2"
7element-30"	120	220	1120	250	310	315	1/2"	1 1/2"-2 1/2"
7element-40"	120	220	1370	250	310	315	1/2"	1 1/2"-2 1/2"

**FBC-2**(Cap Type: Swing bolt hinged)

Max working pressure:150PSI

Making method:Polished or sandblast

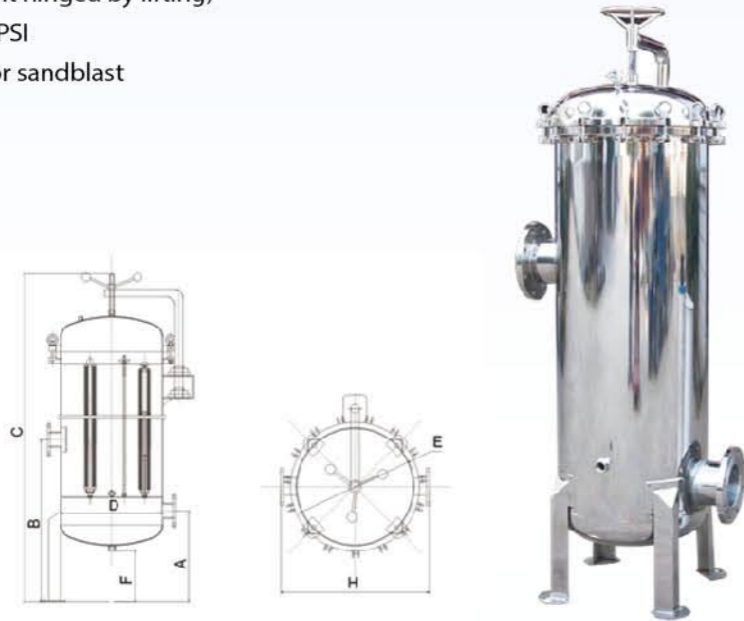


Model	Amm	Bmm	Cmm	Dmm	Emm	Fmm	Hmm	Drain	Inlet/outlet
5element-30"	250	600	1250	200	200	120	340	1/2"	1 1/2"-2"
5element-40"	250	700	1500	200	200	120	340	1/2"	1 1/2"-2"
7element-30"	300	700	1300	250	250	150	390	1/2"	1 1/2"-2"
7element-40"	300	800	1550	250	250	150	390	1/2"	1 1/2"-2"
12element-30"	360	700	1380	300	300	200	440	3/4"	2"-3"
12element-40"	360	900	1620	300	300	200	440	3/4"	2"-3"
15element-30"	380	800	1420	350	350	200	530	3/4"	2"-3"
15element-40"	380	900	1660	350	350	200	530	3/4"	2"-3"
20element-30"	400	800	1460	400	400	200	560	3/4"	2"-4"
20element-40"	400	900	1700	400	400	200	560	3/4"	2"-4"
27element-30"	460	800	1530	450	450	250	630	3/4"	2"-4"
27element-40"	460	1000	1770	450	450	250	630	3/4"	2"-4"

**FBC-3**(Cap Type: Swing bolt hinged by lifting)

Max working pressure:150PSI

Making method:Polished or sandblast



Model	Amm	Bmm	Cmm	Dmm	Fmm	Hmm	Drain	Inlet/outlet
30element-30"	480	900	1740	500	250	660	1"	2"-4"
30element-40"	480	1100	1990	500	250	660	1"	2"-4"
36element-40"	500	1100	2030	550	250	710	1"	2 1/2"-4"
40element-40"	560	1200	2100	600	300	760	1"	2 1/2"-4"
50element-40"	580	1200	2130	650	300	810	1"	3"-4"
60element-40"	590	1200	2150	700	300	880	1"	3"-5"
75element-40"	610	1250	2200	750	300	950	1-1/2"	3"-5"
80element-40"	620	1250	2220	800	300	1000	1-1/2"	4"-6"
90element-40"	650	1250	2390	850	300	1000	1-1/2"	4"-6"
100element-40"	670	1350	2320	900	300	1140	1-1/2"	4"-6"
120element-40"	750	1400	2420	1000	350	1240	1-1/2"	4"-6"
140element-40"	830	1500	2600	1100	350	1400	2"	4"-6"
160element-40"	860	1500	2650	1200	350	1500	2"	6"-10"

**Description**

This item mainly composed of a filter bag , shell, support rack and fixture and measuring device. The fluid flows from the filter entrance into filter cartridge with miscellaneous quality piece retained on the surface or deep in ,while purified fluid runs off from the outlet. Filter adopt clamps, ordinary flange, fast shackle bolt to lock ears. with female or sanitary clamp connect with the top cap, which usually install the gauge or platoon air valve, the inlet /outlet are connected with flange, silk thread and sanitary clamp.

**SBS-1 Series - Single Bag Style (Cap Type: V-clamp hinged)**

Material: SUS304L, SUS316L

Max working pressure:100PSI

Making method: Polished or sandblast



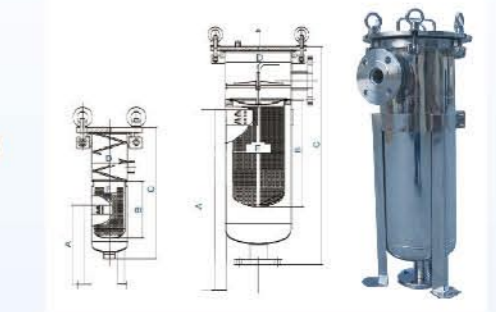
Model	Amm	Bmm	Cmm	Dmm	Fmm	Inlet/outlet
SBS-A	500	380	700	200	170	1"-3"
SBS-B	700	720	1050	200	170	1"-3"
SBS-C	350	190	400	114	97	3/4"-2"
SBS-D	500	340	540	114	97	3/4"-2"

**SBS-2 Series - Single Bag Style (Cap Type: Swing bolt hinged)**

Material: SUS304L, SUS316L

Max working pressure:150PSI

Making method: Polished or sandblast



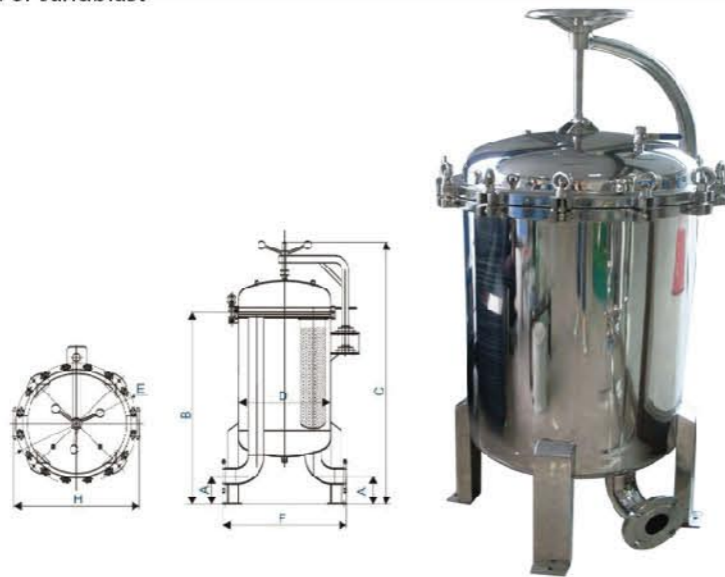
Model	Amm	Bmm	Cmm	mm	Fmm	Inlet/outlet
SBS-A	500	380	700	219	170	1"-3"
SBS-B	700	720	1070	219	170	1"-3"
SBS-3	350	190	430	114	97	3/4"-2"
SBS-4	500	340	580	114	97	3/4"-2"

**SBS-3 Series - Multi Bag Style (Cap Type: Swing bolt hinged)**

Material: SUS304L, SUS316L

Max working pressure: 150PSI

Making method: Polished or sandblast



Model	Amm	Bmm	Cmm	Dmm	Hmm	Inlet/outlet	No.Bags
SBS-A	108	1100	1430	450	590	3"	2
SBS-B	150	1190	1540	500	640	4"	3
SBS-C	150	1200	1560	550	690	4"	4
SBS-D	150	1250	1630	600	760	5"	5
SBS-E	200	1380	1780	700	860	6"	6
SBS-F	200	1460	1920	750	930	8"	8
SBS-G	200	1470	1950	800	980	8"	9
SBS-H	250	1550	2050	900	1100	8"	10
SBS-I	250	1570	2100	1000	1200	8"	12
SBS-J	250	1600	2150	1100	1400	8"	16
SBS-I	300	1780	2350	1200	1500	10"	18

**SFH Series**

Material: SUS304L, SUS316L

Max working pressure: 150PSI

Making method: Polished

Cartridge Configuration Accepted: 222/Fin, 226Fin



Model	Amm	Bmm	Cmm	Dmm	Fmm	Inlet/outlet (connection parts)
1element-10"L	550	400	80	102	200	50mm
1element-20"L	800	650	80	102	200	50mm
1element-30"L	1050	900	80	102	200	50mm
1element-40"L	1300	1150	80	102	200	50mm
3element-10"L	650	450	120	200	300	50mm
3element-20"L	900	700	120	200	300	50mm
3element-30"L	1150	950	120	200	300	50mm
3element-40"L	1400	1200	120	200	300	50mm



Model	Amm	Bmm	Cmm	Dmm	Fmm	Inlet/outlet (connection parts)
5element-10"L	650	450	120	220	350	115mm
5element-20"L	900	700	120	220	350	115mm
5element-30"L	1150	950	120	220	350	115mm
5element-40"L	1400	1200	120	220	350	115mm
7element-10"L	700	450	150	250	400	140mm
7element-20"L	950	700	150	250	400	140mm
7element-30"L	1200	950	150	250	400	140mm
7element-40"L	1450	1200	150	250	400	140mm
9element-10"L	750	450	150	300	450	145mm
9element-20"L	1000	700	150	300	450	145mm
9element-30"L	1250	950	150	300	450	145mm
9element-40"L	1500	1200	150	300	450	145mm
12element-10"L	800	550	200	350	500	150mm
12element-20"L	1100	800	200	350	500	150mm
12element-30"L	1350	1050	200	350	500	150mm
12element-40"L	1600	1300	200	350	500	150mm
15element-10"L	850	550	200	400	550	165mm
15element-20"L	1100	800	200	400	550	165mm
15element-30"L	1350	1050	200	400	550	165mm
15element-40"L	1600	1300	200	400	550	165mm
21element-10"L	900	600	200	450	600	185mm
21element-20"L	1150	850	200	450	600	185mm
21element-30"L	1400	1100	200	450	600	185mm
21element-40"L	1650	1350	200	450	600	185mm

**Features**

- \* Frotec frp tanks are made of high quality composite materials HDPE liner, with blow molding technique, it provides continuous seamless inner liner shell.
- \*Epoxy resin system and FRP filament winding outer shell, which reinforces the liner and provides strong strength for high pressure application.

**Operating Condition**

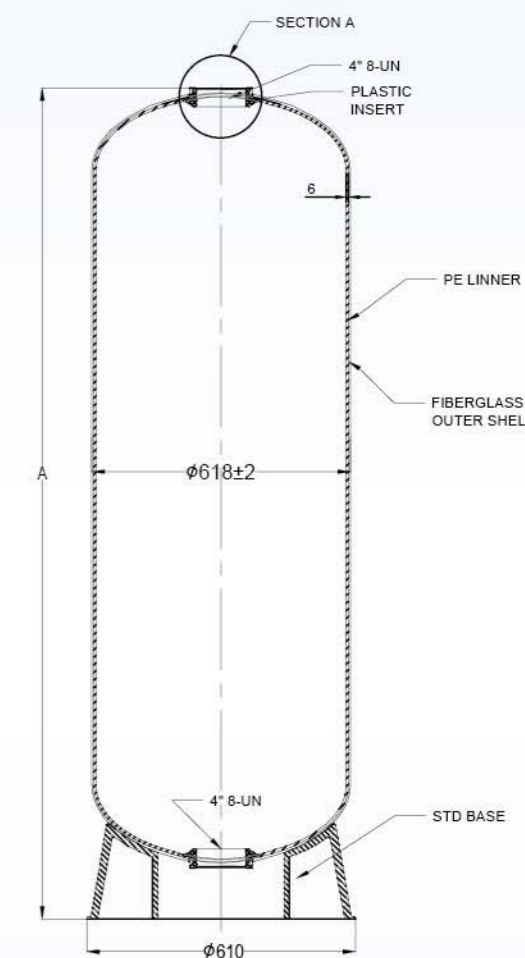
- \* Operating Pressure: 150psi
- \* Operating Temperature : 49°C

**Test**

250.000times of cycle test from 10psi to 150psi withstanding pressure

**Color**

Natural , Blue ,Gray, Black and Blown , others are available on request.



Model	Dia. X Height(mm)	Top Open	Bottom Open	Mounting Mode	Liters
610	155x255	2.5"NPSM	N/A	Top	3.33
613	155x335	2.5" NPSM	N/A	Top	4.50
618	155x465	2.5" NPSM	N/A	Top	6.80
629	155x720	2.5" NPSM	N/A	Top	11.30
635	155x880	2.5" NPSM	N/A	Top	13.86
713	180x350	2.5" NPSM	N/A	Top	7.50
717	180x450	2.5" NPSM	N/A	Top	8.10
735	180x905	2.5" NPSM	N/A	Top	18.10
744	180x1135	2.5" NPSM	N/A	Top	24.25
813	205x335	2.5" NPSM	N/A	Top	7.90
817	205x438	2.5"NPSM	N/A	Top	11.20
824	205x620	2.5" NPSM	N/A	Top	17.10
835	205x890	2.5" NPSM	N/A	Top	24.80
844	205x1130	2.5"NPSM	N/A	Top	31.20
935	230x910	2.5" NPSM	N/A	Top	31.20
942	230x1090	2.5" NPSM	N/A	Top	38.30
948	230x1230	2.5"NPSM	N/A	Top	44.56
1013	255x340	2.5" NPSM	N/A	Top	13.10
1017	255x440	2.5" NPSM	N/A	Top	17.72
1024	255x635	2.5" NPSM	N/A	Top	25.80
1035	255x905	2.5"NPSM	N/A	Top	38.40
1044	255x1130	2.5" NPSM	N/A	Top	49.80
1054	255x1380	2.5" NPSM	N/A	Top	61.60
1248	300x1220	2.5" NPSM	N/A	Top	78.39
1252	300x1340	2.5" NPSM	N/A	Top	90.70
1354	335x1400	2.5" NPSM	N/A	Top	109.34
1465	355x1650	2.5" NPSM	N/A	Top	148.2
1665	405x1650	2.5" NPSM	N/A	Top	195.10
		4"UN	4"UN	Top / Side	203.1
1865	460x1650	2.5"NPSM	N/A	Top	248.04
		4"UN	4"UN	Top / Side	256.00
2069	510x1750	4"UN	N/A	Top / Side	295.55
2069	510x1900	4"UN	4"UN	Top / Side	301.20
2162	550x1750	4"UN	N/A	Top	315.77
2162	550x1900	4"UN	4"UN	Top / Side	323.10
2472	620x1900	4"UN	N/A	Top	467.04
2472	620x2200	4"UN	4"UN	Top / Side	470.10
3072	760x1900	4"UN	N/A	Top	715.20
3072	760x2100	4"UN	4"UN	Top / Side	718.10
3072	760x2210	6"Flange	6"Flange	Side	719.10
3672	910x1900	4"UN	N/A	Top	1012
3672	910x2200	4"UN	4"UN	Top / Side	1018
3672	910x2250	6"Flange	6"Flange	Side	1031
4272	1050x2250	6"Flange	6"Flange	Side	1465
4872	1250x2200	6"Flange	6"Flange	Side	1685
4886	1250x2400	6"Flange	6"Flange	Side	2487
6086	1500x2400	6"Flange	6"Flange	Side	2979
6367	1600x2100	6"Flange	6"Flange	Side	2764
6386	1600x2500	6"Flange	6"Flange	Side	3719
7296	1800x2400	6"Flange	6"Flange	Side	5770
8096	2000x2400	6"Flange	6"Flange	Side	7860

01-03 Distributor



04-07 180/182 Top stack screen, Bottom stack screen



08-10 Top mount 6/12 laterals



11-16 Diffuser side mount, Bottom mount 6/12 laterals



17-18 Tap mount diffuser 6" flange



19-21 Bottom mount 8/16 laterals, 6" flange



22-26 Lateral, Tank head, Threaded Closures, Threaded Adapters, Vacuum Breaker, Brine Valve, Accessories

**SMV25E(End Port)**

Material: Stainless Steel 304, #316L  
 Housing tube type: Seamed/Seamless  
 End cap material: ABS/Stainless steel  
 Max. working pressure: 250psi  
 Inlet port: 1/4", 3/8"  
 Outlet port: 1/4", 3/8"  
 Model: 2514,2521, 2540

**SMV25S(Side Port)**

Material: Stainless Steel 304, #316L  
 Housing tube type: Seamed/Seamless  
 End cap material: ABS/Stainless steel  
 Max. working pressure: 250psi  
 Inlet port: 1/2"  
 Outlet port: 1/4", 3/8"  
 Model: 2521, 2540

**SMV40E(End Port)**

Material: Stainless Steel 304, #316L  
 Housing tube type: Seamed/Seamless  
 End cap material: ABS/Stainless steel  
 Max. working pressure: 300psi  
 Inlet port: 3/4"  
 Outlet port: 1/2"  
 Model: 4021, 4040, 4080, 40120, 40160

**SMV40S(Side Port)**

Material: Stainless Steel 304, #316L  
 Housing tube type: Seamed/Seamless  
 End cap material: ABS/Stainless steel  
 Max. working pressure: 300psi  
 Inlet port: 3/4"  
 Outlet port: 1/2"  
 Model: 4021, 4040, 4080, 40120, 40160

**SMV80E(End Port)**

Material: Stainless Steel 304, #316L  
 Housing tube type: Seamless  
 End cap material: Stainless Steel  
 Max. working pressure: 300psi  
 Inlet port: 1 1/2"  
 Outlet port: 1"  
 Model: 8040, 8080, 80120, 80160,80200 ...

**SMV80S(Side Port)**

Material: Stainless Steel 304, #316L  
 Housing tube type: Seamless  
 End cap material: Stainless Steel  
 Max. working pressure: 300psi  
 Inlet port: 1 1/2"  
 Outlet port: 1"  
 Model: 8040, 8080, 80120, 80160,80200....



**MPV40E(End Port)**

Material: FRP  
 Max. working pressure: 300psi, 450psi, 600psi, 800psi,1000psi  
 Inlet port: 3/4"  
 Outlet port: 1/2"  
 Model: 2521,2540, 4021, 4040, 4080, 40120, 40160,40200

**MPV40S(Side Port)**

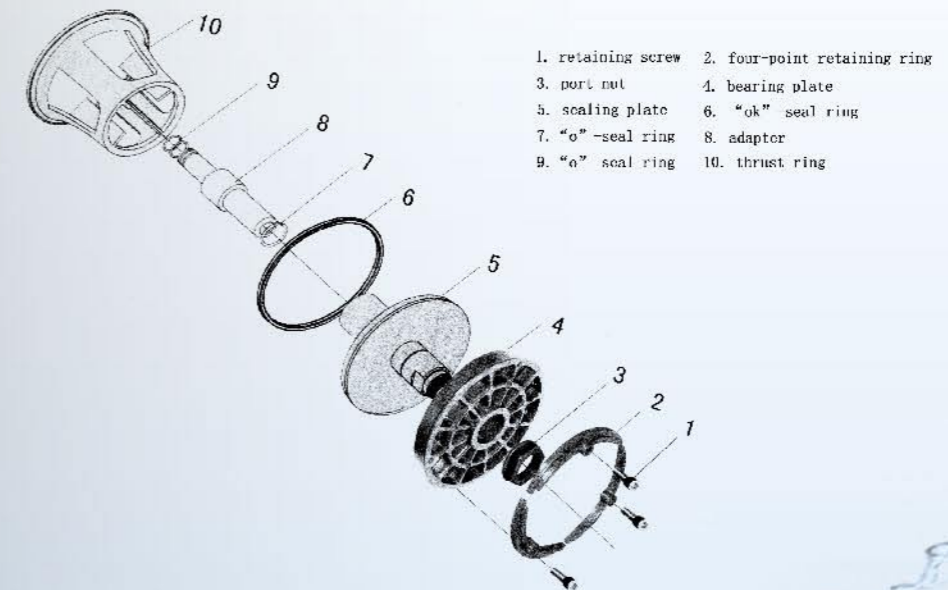
Material: FRP  
 Max. working pressure: 300psi, 450psi, 600psi, 800psi,1000psi  
 Inlet port: 3/4"  
 Outlet port: 1/2"  
 Model: 4021, 4040, 4080, 40120, 40160,40200

**MPV80E(End Port)**

Material: FRP  
 Max. working pressure: 300psi, 450psi, 600psi, 800psi,1000psi  
 Inlet port: 1 1/2"  
 Outlet port: 1"  
 Model: 8040, 8080, 80120, 80160,80200...

**MPV80S(Side Port)**

Material: FRP  
 Max. working pressure: 300psi, 450psi, 600psi, 800psi,1000psi  
 Inlet port: 1 1/2"  
 Outlet port: 1"  
 Model: 8040, 8080, 80120, 80160,80200...



# FROTEC

## FROTEC PLASTIC FILTER HOUSING

### Specification

Flow rate and pressure loss depend on filter elements type

Inlet/outlet port: plastic or brass

Port size :

PSH101—PSH056 1/4", 1/2", 3/4"

PSH107—PSH112 1/2", 3/4", 1"

PSH113—PSH114 3/8", 1/2", 3/4", 1"

PSH115—PSH118 3/4", 1", 1.25", 1.5"



PSH-101



PSH-102



PSH-103



PSH-104



PSH-055



PSH-056



PSH-107



PSH-108



PSH-109



PSH-110



PSH-111



PSH-112



PSH-113



PSH-114



PSH-115



PSH-116



PSH-117



PSH-118

# FROTEC

## FROTEC SERVICES

